

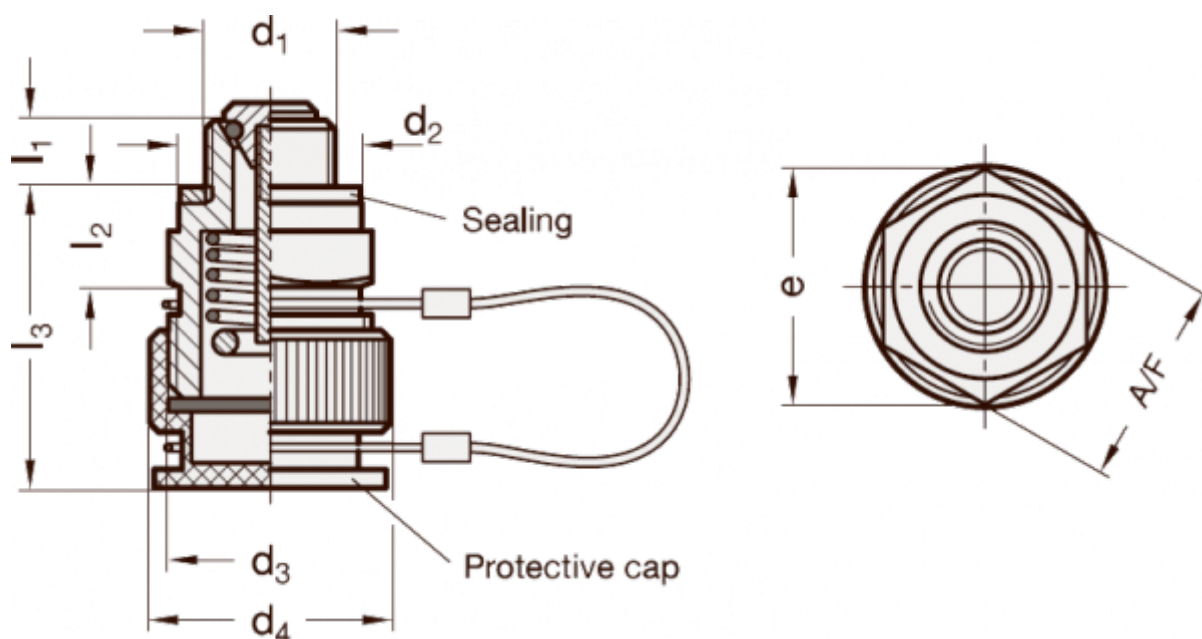
Data Sheet



Article number: 20880M3015MSK

Description: E+G
Oil drain valve GN 880-M30x1.5-MS-K

Measures



A/F	= 36
d2	= 36
d4	= 30
e	= 41.6
L1	= 9
L2	= 12
L3	= 32
Thread d1	= M30x1.5

Thread d3 = M26x1.5